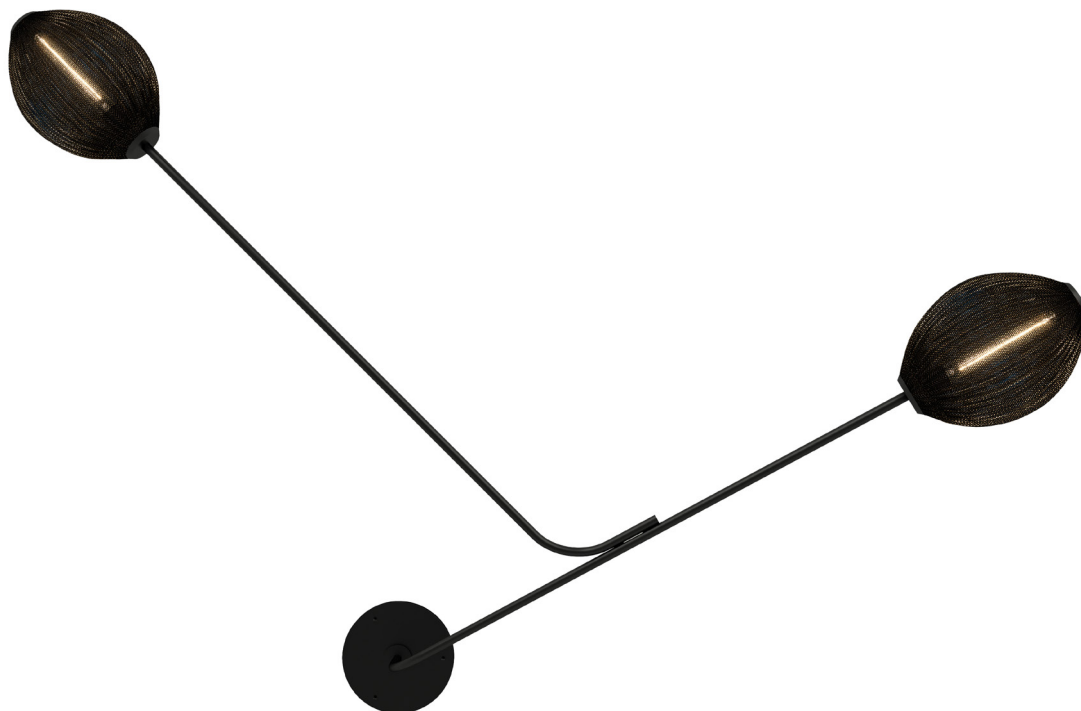


## Satellite Wall Lamp, UK

Designed by Mathieu Matégot - 1953



### ITEM NUMBER

Satellite Wall Lamp, EU (Soft Black Semi Matt)	10056952
Satellite Wall Lamp, EU (Cream White Semi Matt)	10056953
Satellite Wall Lamp, EU (Black & White)	10078939

### DESCRIPTION

During a period of forward-looking post-war optimism, Mathieu Matégot (1910–2001) put his own material innovation, Rigitulle, to work in his Satellite Collection, named with nod and a wink to the scientific progress in France at the time. Rigitulle enabled Matégot to reinvent the traditional lampshade, conceiving a playful new typology for lighting.

The Satellite Wall Lamp (1953) comprises two shades made from his perforated steel, concertina-folded into ovoid forms, and mounted onto elongated sculptural metal arms. Today, after almost 70 years, GUBI is putting this daring design back into production alongside the Satellite Pendant and Flower Pots and Bowl – also made from Rigitulle – and Matégot's ingenious furniture designs, such as the Démon Shelves and Copacabana and Nagasaki Chairs, all of which are already part of the GUBI Collection.

## Materials & Finishes

### SHADE

Creamy White, Graphite Black



### BASE

Graphite Black

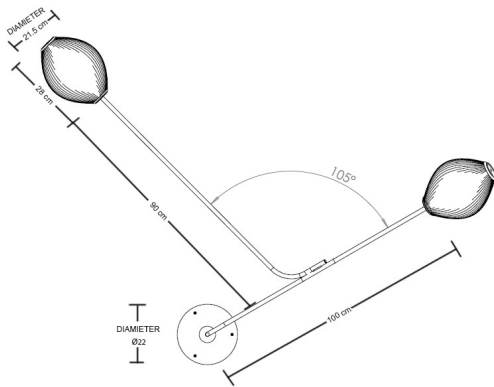


### MATERIALS

Steel, Metal

---

## Dimensions & Weight



### WIDTH

166 cm / 65.3 in

### DEPTH

57.5 cm / 22.6 in

### HEIGHT

119 cm / 46.9 in

### SHADE WIDTH

21.7 cm / 8.6 in

### SHADE DEPTH

11 cm / 4.3 in

### SHADE HEIGHT

28 cm / 11 in

### ARM LENGTH

100/90 cm / 39.4/35.4 in

---

## Weight

### TOTAL WEIGHT

4.1 kg / 9 lbs

---

## Packaging - Base

### NUMBER OF PARCELS

1

<b>PACKAGING LENGTH</b>	146 cm / 57.5 in
<b>PACKAGING WIDTH</b>	29 cm / 11.4 in
<b>PACKAGING HEIGHT</b>	31 cm / 12.2 in
<b>PACKAGING WEIGHT</b>	3.9 kg / 8.6 lbs
<b>GROSS WEIGHT</b>	8 kg / 17.6 lbs


---

## Electrical Specifications

<b>BULB SOCKET</b>	E27
<b>RECOMMENDED BULB</b>	5W LED, T30, L185 - 250lm
<b>VOLTAGE</b>	240V
<b>BULB INCLUDED</b>	Yes

---

## Test & Certifications

<b>CERTIFICATION</b>	
<b>ISOLATION CLASS</b>	II
<b>IP CLASSIFICATION</b>	20

---