



CARE INSTRUCTIONS

Daily cleaning can be done by wiping the frame with a clean dry cloth. Should the surface need more attention this can be cleaned with water and a light detergent or soap applied with a damp cloth. Wipe after with a clean dry cloth. Avoid any abrasive materials.

TROUBLESHOOTING

If lamp does not light, turn off the power. Check the bulb for a broken filament. Replace bulb if necessary, then turn it on. If the lamp still does not light, please contact customer service at the local dealer. If the external flexible cable or cord of this lamp is damaged, it must be replaced by a qualified electrician in order to avoid a hazard.

TECHNICAL INFORMATION

Recommended light source:
E27, Dimmable 470 Lumen, 5-6W LED, Frosted bulb
Max light source 10 W LED

With LED you can increase the light output up to 810 Lumen (10W).
Turn power off when changing light bulb. Isolation class II. The lamp is not approved for outdoor use or use in damp/wet rooms (IP20)



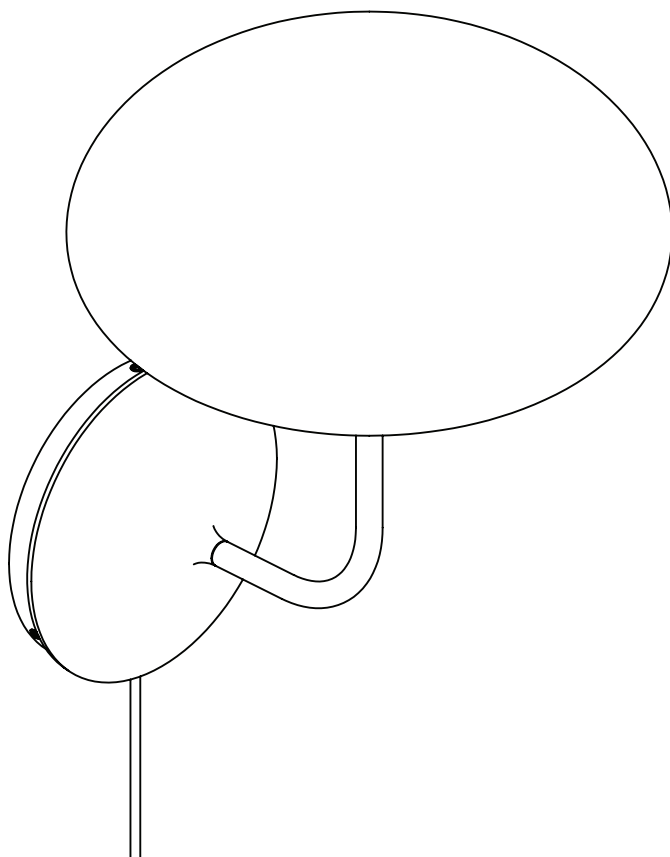
For enquiries contact GUBI A/S - CVR: 17940384
Klubiensvej 7-9, 2150 Nordhavn, Copenhagen, Denmark
T +45 69 15 60 60 – order@gubi.com
GUBI.COM

GUBI

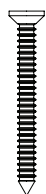
ASSEMBLY INSTRUCTIONS

for

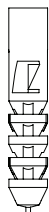
Stemlite Wall Lamp



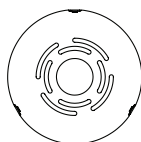
CONTENTS



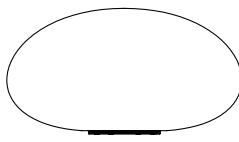
x2



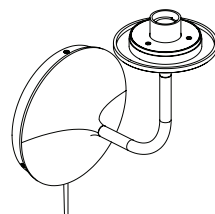
x2



x1



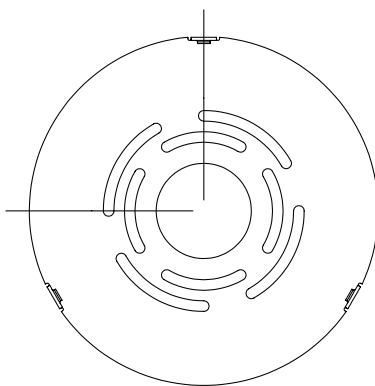
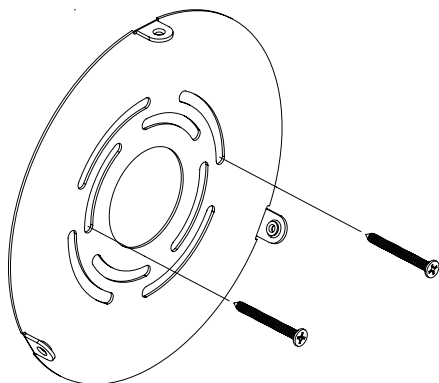
x1



x1

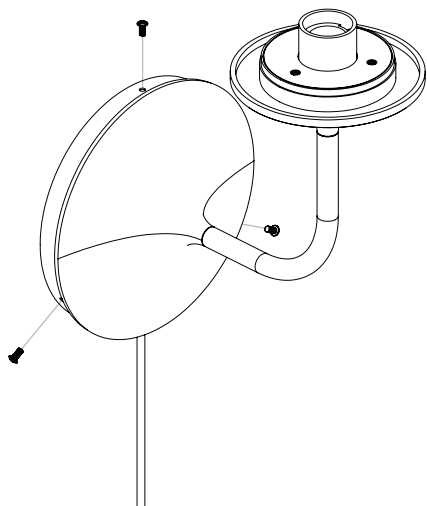
1.

Mount the wall bracket using the two supplied wood screws. Make sure to properly align the three mounting brackets



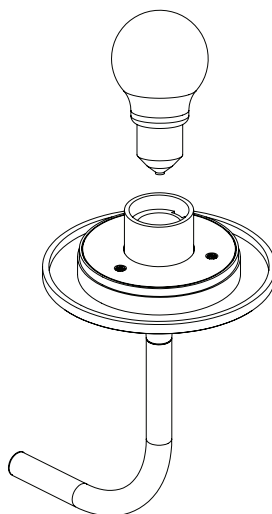
2.

Mount the lamp base to the wall bracket using the three mounting screws



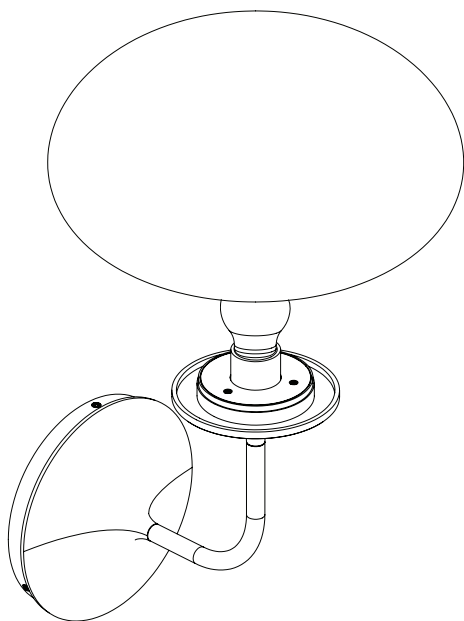
3.

Insert the light bulb



4.

Assemble the shade by screwing it onto the base



5.

Turn the switch (a) to lamp on and to dim the light

